

20 Litre Pedal Bin

Technical Specification:

- Unit Weight: 7.3KG
- Max Capacity: 20 Litre
- Dimensions: 660mm x 350mm x 180mm
- Colours:
 - White RAL9016
 - Yellow RAL1003
 - Green RAL6037
 - Brown RAL8014

Key Safety Feature:

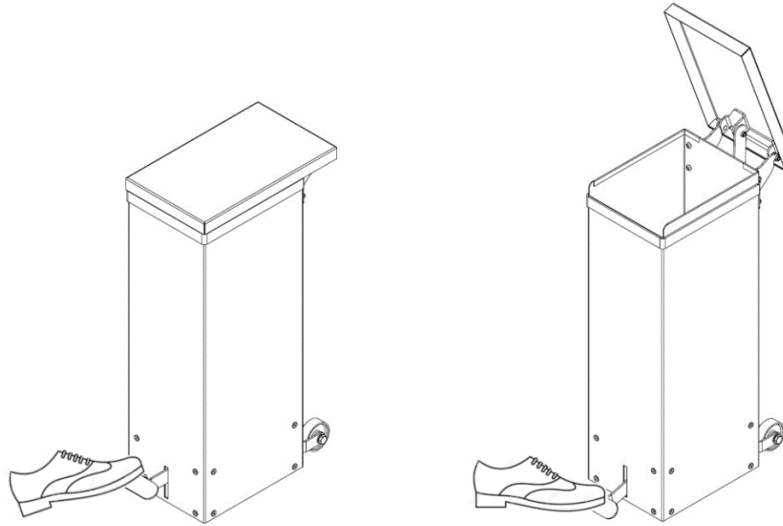
- Rear wheels for ease of movement
- Robust steel construction
- Fire retardant to:
 - Propagation of Flame: BS 476 part 6
 - Spread of Flame: BS 476 part 7

Maintenance & Operation:

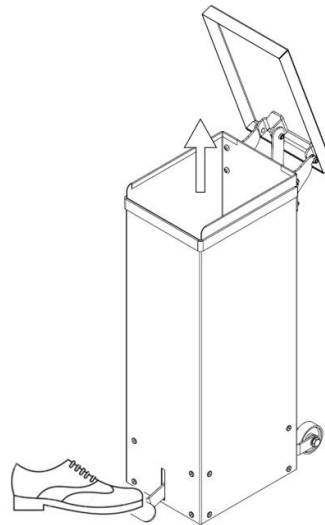
- Bin has a capacity of 20 litres, do not over fill.
- Bin should not be used for the disposal of sharp objects etc.
- When depositing waste, ensure hand is removed from under lid before releasing foot pedal.
- When cleaning bin, ensure internal area is fully dry with no standing water present before returning to use.
- Bin should be removed from service if any element appears broken or is not working correctly.
- Bin should be placed a minimum of 3cm from wall to allow lid to fully open and close.
- Do not use strong corrosive chemical solvents to clean the product, which will damage the paint surface.
- Never dismantle, repair, modify, etc without permission.

Instruction for Use:

Press foot pedal to open the lid. Do not lift lid with your hand:



To remove a full bin bag, open bin lid and safely pull bag upwards taking care not to rip the bin bag.



To move, tilt bin at an approx. 70° angle from the back until the wheels are free to move. Pull using the base of the lid:

